

# PLUMBING VALVES

## SECTION 10



PRODUCT LINE	PAGE
Ball Valves-No Lead Brass.....	10.001-A
Ball Valves-stainless steel,Pex & Radiant Tubing.....	10.002
Ball Valves-Leaded Brass.....	10.003
Ball Valves-Gas.....	10.004
Valves-Brass Gate.....	10.005
Valves-Swing Check.....	10.006
Plumbing Valves, Low Pressure NL Brass, Brass.....	10.007-A
Plumbing Valve-Celcon, PVC & CPVC.....	10.008
PVC Molded -in-Place Ball Valves.....	10.009-10.010
CPVC Molded -in-Place Ball Valves.....	10.011
PVC Single Union Ball Valves.....	10.012-10.013
PVC True Union Ball Valve.....	10.014-A
Wall Hydrants.....	10.015A-B





# Ball Valves - NO LEAD Brass



HFBV6-NL Series

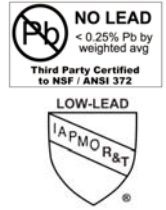


MATERIAL SPECIFICATIONS	
Handle nut	Zinc Coated Steel
Handle	Zinc Coated Steel
Gland Follower	NL Forged Brass
Stem Packing	PTFE
Ball	Chrome Plated NL Brass
Seats	PTFE
Body	NL Forged Brass
End Adapter	NL Forged Brass

## NO LEAD Forged Brass Full Port Ball Valve

### Features:

- Heavy pattern NO LEAD forged brass construction.
- Full port allows maximum flow & minimum pressure drop or turbulence.
- PTFE seats, chrome plated NO LEAD brass ball.
- PTFE stem packing with adjustable gland follower.
- Blow out proof stem design.
- 600 PSI W.O.G. non-shock; 150 PSI S.W.P.
- CSA Certified (TXT only)
- Third party certified to NSF/ANSI 372.



Part Number	Threaded	Size	Ctn/Case		sweat
			Qty		
HFBV6-25TNL		1/4"	15	120	
HFBV6-38TNL		3/8"	15	120	
HFBV6-50TNL		1/2"	15	120	
HFBV6-75TNL		3/4"	10	60	HFBV6-75SNL
HFBV6-100TNL		1"	8	48	HFBV6-100SNL
HFBV6-125TNL		1 1/4"	4	24	HFBV6-125SNL
HFBV6-150TNL		1 1/2"	2	24	HFBV6-150SNL
HFBV6-200TNL		2"	2	12	HFBV6-200SNL
HFBV6-250TNL		2 1/2"	3	6	
HFBV6-300TNL		3"	2	4	
HFBV6-400TNL		4"	1	2	



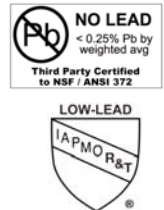
HFBV4-PEXNL Series

MATERIAL SPECIFICATIONS	
Handle Nut	Zinc Coated Steel
Handle	Zinc Coated Steel
Stem O-ring (2)	NBR
Ball	Chrome Plated NL Brass
Seats	PTFE
Body	NL Forged Brass
End Adapter	NL Forged Brass

## NO LEAD Forged Brass FULL Port Ball Valve with PEX

### Connections Features:

- Heavy pattern, full port, forged NO LEAD brass construction.
- PTFE seats, chrome plated NO LEAD brass ball.
- NBR double o-ring stem seal.
- Blow-out proof stem design.
- 400 PSI W.O.G. non-shock; 125 PSI S.W.P.
- PEX ends for use with PEX tubing connections.
- Third party certified to NSF/ANSI 372.



Part Number	Size	Ctn/Case	
		Qty	
HFBV4-50PEXNL	1/2"	25	100
HFBV4-75PEXNL	3/4"	10	60
HFBV4-100PEXNL	1"	10	40

# Ball Valves - NO LEAD Brass



HFBV4-PEXSWNL Series

MATERIAL SPECIFICATIONS	
Handle Nut	Zinc Coated Steel
Handle	Zinc Coated Steel
Stem O-ring (2)	NBR
Ball	NL Brass
Seats	PTFE
Body	NL Forged Brass
End Adapter	NL Forged Brass

## NO LEAD Forged Brass STANDARD Port Ball Valve with PEX x SWEAT Connections Features:

- Heavy pattern, standard port, forged NO LEAD brass construction.
- PTFE seats, chrome plated NO LEAD brass ball.
- NBR double o-ring stem seal.
- Blow-out proof stem design.
- **400 PSI** W.O.G. non-shock; **125 PSI** S.W.P.
- PEX x SWEAT ends for use with PEX tubing to copper tubing connections.
- **Third party certified to NSF/ANSI 372.**



Part Number	Size	Ctn/Case Qty
HFBV4-50PEXSWNL	1/2"	25/100
HFBV4-75PEXSWNL	3/4"	10/60



HFBV6-INL Series

MATERIAL SPECIFICATIONS	
Handle	Zinc Plated Steel
Handle Nut	Zinc Plated Steel
Stem Packing	PTFE
Packing Nut	Brass
Ball	1/2"-1" Lead Free Brass 1 1/4" SS #316
Seats	PTFE
Body	NL Brass
End Adapter	NL Brass

## NO LEAD Forged Brass FULL Port Ball Valve with HOSE BARBS Connection Features:

- Heavy pattern, full port, forged NO LEAD brass construction.
- PTFE seats, chrome plated NO LEAD brass ball.
- PTFE stem packing with adjustable gland follower.
- Blow-out proof stem design.
- **600 PSI** W.O.G. non-shock; **150 PSI** S.W.P.
- Insert hose barb ends for use with polyethylene pipe connections.
- **Third party certified to NSF/ANSI 372.**



Part Number	Size	Ctn/Case Qty
HFBV6-50INL	1/2"	50/80
HFBV6-75INL	3/4"	6/60
HFBV6-100INL	1"	6/36
HFBV6-125INL	1 1/4"	5/20



HFBV6-IFTNL Series

MATERIAL SPECIFICATIONS	
Handle	Zinc Plated Steel
Handle Nut	Zinc Plated Steel
Stem Packing	PTFE
Packing Nut	Brass
Ball	3/4"-1" Lead Free Brass 1 1/4" SS #316
Seats	PTFE
Body	NL Brass
End Adapter	NL Brass

## NO LEAD Forged Brass FULL Port Ball Valve with HOSE BARB x FPT Connection Features:

- Heavy pattern, full port, forged NO LEAD brass construction.
- PTFE seats, chrome plated NO LEAD brass ball.
- PTFE stem packing with adjustable gland follower.
- Blow-out proof stem design.
- **600 PSI** W.O.G. non-shock; **150 PSI** S.W.P.
- Insert hose barb x FPT ends for use with polyethylene pipe and IPS connections.
- **Third party certified to NSF/ANSI 372.**



Part Number	Size	Ctn/Case Qty
HFBV6-75IFTNL	3/4"	6/60
HFBV6-100IFTNL	1"	6/36
HFBV6-125IFTNL	1 1/4"	5/20

# Ball Valves - Stainless Steel, PEX & Radiant Tubing



SSBV Series

### MATERIAL SPECIFICATIONS

Handle Nut	Stainless Steel
Handle	Stainless Steel
Gland Follower	Stainless Steel
Stem Packing	PTFE
Packing Nut	Stainless Steel
Ball	Stainless Steel
Seats	PTFE
Body	Stainless Steel
End Adapter	Stainless Steel
Seal Gasket	PTFE

### Stainless Steel Full Port Ball Valve Features:

- 304 Stainless steel ball valves
- Full Port, 1000 psi WOG
- Locking Handle (padlock not included)
- Investment castings.
- PTFE seal and packing.
- Blow-out proof stem.
- FPT x FPT
- **Third party certified no lead to NSF/ANSI 372.**



Part Number	Description	Size T x T	Case Qty
SSBV25TLH	Stainless 1000#	1/4"	2/80
SSBV38TLH	Stainless 1000#	3/8"	2/80
SSBV50TLH	Stainless 1000#	1/2"	2/80
SSBV75TLH	Stainless 1000#	3/4"	2/60
SSBV100TLH	Stainless 1000#	1"	2/40
SSBV125TLH	Stainless 1000#	1 1/4"	2/30
SSBV150TLH	Stainless 1000#	1 1/2"	2/16
SSBV200TLH	Stainless 1000#	2"	2/10
SSBV250TLH	Stainless 1000#	2 1/2"	2/4
SSBV300TLH	Stainless 1000#	3"	2/4
SSBV400TLH	Stainless 1000#	4"	2/4

### NO LEAD Brass Chrome Plated Supply Valve with PEX Connections Features:

- Chrome Plated No Lead DZR Brass.
- 1/4 Turn Plastic Oval Handle.
- For use with PEX tubing connections.
- Maximum pressure rating: 125 psi
- Maximum temperature rating: 180°F (82°C)
- Stem Packing: Double NBR o-ring.
- Seat Material: PTFE
- **Third party certified to NSF/ANSI 372.**



Angle Stop Valve



Straight Stop Valves

Part Number	Old Part Number	Size Description	Inner/Ctn Qty
<b>ANGLE STOP Valve</b>		<b>PEX Insert x Compression</b>	
CPSVA1/2PX1/4CNL	70-30-10-072NL	1/2 x 1/4 Angle Stop Ch Plated NL	12/144
CPSVA1/2PX3/8CNL	70-20-20-074NL	1/2 x 3/8 Angle Stop Ch Plated NL	12/144
<b>STRAIGHT STOP Valve</b>		<b>PEX Insert x Compression</b>	
CPSVS1/2PX3/8CNL	70-20-10-074NL	1/2 x 3/8 Straight Stop Ch Plated NL	12/144

# Ball Valves - LEADED Brass



HFBV6 Series



### MATERIAL SPECIFICATIONS

Handle nut	Zinc Coated Steel
Handle	Zinc Coated Steel
Gland Follower	Forged Brass
Stem Packing	PTFE
Ball	Chrome Plated Brass
Seats	PTFE
Body	Forged Brass
End Adapter	Forged Brass

### Forged LEADED Brass Full Port Ball Valve Features:

- Heavy pattern forged leaded brass construction.
- Full port allows maximum flow & minimum pressure drop or turbulence.
- PTFE seats, chrome plated brass ball.
- PTFE stem packing with adjustable gland follower.
- Blow out proof stem design.
- **600 PSI W.O.G. non-shock; 150 PSI S.W.P.** (400 PSI 2 1/2", 3" 4")
- **CSA Certified (TxT only), UL Listed.**

Part Number	Threaded	Size	Ctn/Case Qty		sweat
HFBV6-25T		1/4"	50/100		
HFBV6-38T		3/8"	50/100		
HFBV6-50T		1/2"	50/100		HFBV6-50S
HFBV6-75T		3/4"	30/60	<b>19.66</b>	HFBV6-75S
HFBV6-100T		1"	20/40	<b>31.45</b>	HFBV6-100S
HFBV6-125T		1- 1/4"	12/24	<b>49.97</b>	HFBV6-125S
HFBV6-150T		1-1/2"	9/18	<b>74.65</b>	HFBV6-150S
HFBV6-200T		2"	6/12	<b>111.95</b>	HFBV6-200S
HFBV6-250T		2-1/2"	3/6	<b>233.61</b>	
HFBV6-300T		3"	2/4	<b>326.60</b>	
HFBV6-400T		4"	2	<b>600.68</b>	



HFBV6-I Series



### MATERIAL SPECIFICATIONS

Handle nut	Zinc Coated Steel
Handle	Zinc Coated Steel
Gland Follower	Forged Brass
Stem Packing	PTFE
Ball	Chrome Plated Brass
Seats	PTFE
Body	Forged Brass
End Adapter	Forged Brass

### Forged LEADED Brass FULL Port Ball Valve with Hose Barbs Features:

- Heavy pattern, full port, forged leaded brass construction.
- PTFE seats, chrome plated brass ball.
- PTFE stem packing with adjustable gland follower.
- Blow-out proof stem design.
- **600 psi W.O.G. non-shock; 150 psi S.W.P.**
- Insert hose barb ends for use with polyethylene pipe connections.

Part Number	Size	Ctn/Case Qty
HFBV6-50I	1/2"	50/100
HFBV6-75I	3/4"	30/60
HFBV6-100I	1"	20/40
HFBV6-125I	1-1/4"	12/24



# Ball Valves - Gas



HGBVL Series



ISO 9001



MATERIAL SPECIFICATIONS	
Handle Screw	Steel
Handle	Aluminum
Stem O-Rings	NBR
Stem	Forged Brass
Ball	Chrome Plated Brass
Seats	PTFE
Body	Forged Brass
End Adapter	Forged Brass

## Forged Brass Gas Ball Valve Features:

- Heavy duty two piece forged brass body.
- For use with natural, manufactured, mixed, liquified petroleum and LP gas/air mixtures.
- Meets ANSI standard Z21.15 for use as a gas appliance connector valve (1/2 lb. system). CSA, US/AGA B-16.44
- Pressure rated at 175 psi W.O.G. non-shock.
- Imported, Mfg for American Granby in an ISO 9001 facility.

DIMENSIONS (IN.) SIZE	DIMENSIONS (IN.)			BTU
	A	B	C	Capacity/Hr.
1/2"	2.21	1.46	1.81	295,000
3/4"	2.38	1.75	1.81	795,000
1"	2.91	1.89	1.81	1,200,000

Lever Style	Tee Style	Size	
Part Number	Part Number	t x t	Ctn/Case Qty
HGBVL50T		1/2"	12/144
HGBVL75T		3/4"	12/96
HGBVL100T		1"	6/96

# Valves - Brass Gate



GV200 Series

## GV200 Series Forged Brass Gate Valve Features:

- Constructed of heavy duty forged brass.
- **Die-cast** body, **forged** bonnet are connected with a PTFE body to bonnet gasket for a leak proof seat.
- Screwed bonnet, non-rising stem, solid wedge disc and integral seats.
- Graphite stem seal packing.
- Cast iron hand wheel
- Rated at **200 PSI WOG**; **125 PSI SWP** (working pressure, non shock)
- Threaded ends produced to ANSI/ASME B1.20.1 (NPT) standards.
- Sweat ends produced to ANSI B16.18-1984 standards
- Imported



MATERIAL SPECIFICATIONS	
Wheel Nut	Stainless Steel
Hand Wheel	Gray Iron
Packing Nut	Brass
Gland Follower	Brass
Stem Seal Packing	Graphite
Bonnet	Brass
Body-Bonnet Gasket	PTFE
Lock Nut	Brass
Stem	Brass
Disc	Brass
Body	Brass

DIMENSIONS (IN.)	SIZE	A (IPS)	A (CxC)	B (IPS)	B (CxC)	C	d
	1/2"	1.68	1.76	2.80	2.79	2.17	.51
	3/4"	1.76	2.34	2.99	3.10	2.17	.67
	1"	1.97	2.69	3.45	3.63	2.36	.83
	1 1/4"	2.30	3.01	4.06	4.37	2.84	1.07
	1 1/2"	2.46	3.36	4.47	4.96	2.84	1.34
	2"	2.69	3.98	5.26	6.13	3.15	1.77
	2 1/2"	3.43		6.44		3.94	2.21
	3"	3.71		7.48		4.33	2.68
	4"	4.45		9.25		5.12	3.55

Threaded Part Number	Sweat Part Number	Size	Ctn/Case Qty
GV200-50T		1/2"	10 / 100
	GV200-50S	1/2"	10 / 100
GV200-75T		3/4"	10 / 100
	GV200-75S	3/4"	10 / 100
GV200-100T		1"	5 / 50
	GV200-100S	1"	5 / 50
GV200-125T		1 1/4"	5 / 50
	GV200-125S	1 1/4"	5 / 50
GV200-150T		1 1/2"	2 / 30
	GV200-150S	1 1/2"	2 / 30
GV200-200T		2"	2 / 20
	GV200-200S	2"	2 / 20
GV200-250T		2 1/2"	1 / 10
GV200-300T		3"	1 / 10
GV200-400T		4"	1 / 4



# Valves - Swing Check



HSCV, HSCV-NL Series

## Brass and NO LEAD Brass Swing Check Valve Features:

- Constructed of heavy duty cast brass or NO LEAD Brass
- Screwed cap, swing type disc and integral seat.
- Prevents backflow while offering full flow performance with a minimum of turbulence or pressure loss.
- Rated **200 PSI W.O.G.** (working pressure non-shock)
- NO LEAD Brass swing check valves are third party certified to NSF/ANSI 372.
- Manufactured for American Granby in an ISO 9001 factory.

**ISO 9001**

DIMENSIONS (IN.)	SIZE	BRASS				NO LEAD BRASS			
		A (TxT)	A (CxC)	B (TxT)	B (CxC)	A (TxT)	A (CxC)	B (TxT)	B (CxC)
	1/2"	2.05	2.05	1.47	1.49	2.09	2.40	1.42	1.40
	3/4"	2.32	2.32	1.58	1.58	2.36	3.15	1.56	1.52
	1"	2.56	2.56	1.68	1.68	2.62	3.50	1.77	1.73
	1 1/4"	3.12	3.12	1.84	1.84	3.19	4.15	2.07	2.07
	1 1/2"	3.45	3.45	2.15	2.15	3.54	4.57	2.17	2.13
	2"	4.16	4.16	2.69	2.69	4.21	5.47	2.74	2.68
	2 1/2"	5.11		2.93		5.14		3.09	
	3"	5.74		3.78		5.77		3.80	
	4"	6.79		3.90		6.84		4.25	

## NO LEAD Brass



### MATERIAL SPECIFICATIONS

Cap	No Lead Brass
Body	No Lead Brass
Disc	No Lead Brass
Hinge Pin	No Lead Brass
Screw	No Lead Brass

NL Threaded Part Number	NL Sweat Part Number	Size	Ctn/Case Qty
HSCV50TNL		1/2"	12/120
	HSCV50SNL	1/2"	12/120
HSCV75TNL		3/4"	10/80
	HSCV75SNL	3/4"	10/80
HSCV100TNL		1"	5/60
	HSCV100SNL	1"	5/60
HSCV125TNL		1-1/4"	5/40
	HSCV125SNL	1-1/4"	5/40
HSCV150TNL		1-1/2"	5/30
	HSCV150SNL	1-1/2"	5/30
HSCV200TNL		2"	2/24
	HSCV200SNL	2"	2/24
HSCV250TNL		2-1/2"	1/15
HSCV300TNL		3"	1/6
HSCV400TNL		4"	1/4

## Brass



### MATERIAL SPECIFICATIONS

Cap	Brass
Body	Brass
Disc	Brass
Hinge Pin	Brass
Screw	Brass

Threaded Part Number	Sweat Part Number	Size	Ctn/Case Qty
HSCV50T		1/2"	10/120
	HSCV50S	1/2"	10/120
HSCV75T		3/4"	10/80
	HSCV75S	3/4"	10/80
HSCV100T		1"	5/60
	HSCV100S	1"	5/60
HSCV125T		1-1/4"	5/40
	HSCV125S	1-1/4"	5/40
HSCV150T		1-1/2"	5/30
	HSCV150S	1-1/2"	5/30
HSCV200T		2"	2/24
	HSCV200S	2"	2/24
HSCV250T		2-1/2"	1/15
HSCV300T		3"	1/10
HSCV400T		4"	1/6





# Plumbing Valves - NO LEAD Brass, Stainless Steel

## BOILER DRAINS • HOSE BIBBS

- 125 PSI WOG (working pressure - non-shock), 200 PSI WOG (1/4 turn ball valve hose bibbs)
- All valves shown are UPC rated and third party certified to NSF/ANSI 372.
- Imported



HNKDNL Series



HBDNL Series



HBD-SBNL Series



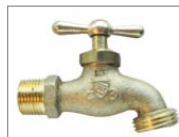
IBD-SBNL Series



EIBD-SBNL Series



IBDBVNL Series



HHBNL Series



HHBNHTNL Series



IHBB NL Series



IHBBNHTNL Series



IHBBSS Series



IHBBSSNHT Series

☺ Has combination 1/2" mip and 1/2" solder connection

Part Number	Size	Description	Ctn/Case Qty
<b>NO LEAD Brass No-Kink Boiler Drains</b>			
HNKD50NL ☺	1/2"	mip x ght	12/144
HNKD75NL	3/4"	mip x ght	12/144
<b>NO LEAD Brass Boiler Drains</b>			
HBD50NL ☺	1/2"	mip x ght	12/144
HBD75NL	3/4"	mip x ght	12/144
HBD50SBNL ☺	1/2"	w/ stuffing box mip x ght	12/144
HBD75SBNL	3/4"	w/ stuffing box mip x ght	12/144
<b>NO LEAD Brass Full Flow Boiler Drains - ECONOMY</b>			
EIBD50SBNL ☺	1/2"	w/ stuffing box mip x ght	12/144
EIBD75SBNL	3/4"	w/ stuffing box mip x ght	12/144
<b>NO LEAD Brass Full Flow Boiler Drains</b>			
IBD50SBNL ☺	1/2"	w/ stuffing box mip x ght	12/144
IBD75SBNL	3/4"	w/ stuffing box mip x ght	12/144
<b>NO LEAD 1/4 turn Ball Valve Brass Boiler Drain w/ Butterfly Handle</b>			
IBDBV50NL ☺	1/2"	mip x ght	12/144
IBDBV75NL	3/4"	mip x ght	12/144
<b>NO LEAD Brass Hose Bibbs</b>			
HHB50NL ☺	1/2"	mip x ght	12/144
HHB75NL	3/4"	mip x ght	12/144
<b>NO LEAD Brass Hose Bibbs - No Garden Hose Thread, Sampling Valve</b>			
HHB50NHTNL ☺	1/2"	mip x spout	12/144
HHB75NHTNL	3/4"	mip x spout	12/144
<b>NO LEAD Brass 1/4 turn Ball Valve Hose Bibb w/ T Handle - 200 psi WOG non-shock</b>			
IHBB50NL ☺	1/2"	1/4x ght1/turn	12/144
IHBB75NL	3/4"	1/4 turn NL mip x ght	12/144
<b>NO LEAD Brass 1/4 turn Ball Valve Brass Hose Bibbs w/ T Handle - 200 psi WOG non-shock - No garden hose thread - Sampling valve</b>			
IHBB50NHTNL ☺	1/2"	1/4 turn NL mip x spout	12/144
IHBB75NHTNL	3/4"	1/4 turn NL mip x spout	12/144
<b>304 STAINLESS STEEL 1/4 turn Ball Valve Hose Bibbs w/ T Handle - 200 psi WOG non-shock (with stainless steel T handle)</b>			
IHBB50SS	1/2"	STAINLESS mip x ght	12/144
IHBB75SS	3/4"	STAINLESS mip x ght	12/144
<b>304 STAINLESS STEEL 1/4 turn Ball Valve Hose Bibbs w/ T Handle - 200 psi WOG non-shock - No garden hose thread - Sampling valve</b>			
IHBB50SSNHT	1/2"	STAINLESS mip x spout	12/144
IHBB75SSNHT	3/4"	STAINLESS mip x spout	12/144



# Plumbing Valves - NO LEAD Brass

## BENT NOSE GARDEN • ANGLE SILL COCKS

- 125 PSI WOG (working pressure - non-shock)
- Imported



HBNGNL Series



HSCNL Series

Part Number	Size	Description	Ctn/Case Qty
<b>NO LEAD Brass Full Flow Bent Nose Garden Valves (CA AB1953 certified)</b>			
HBNG50NL	1/2"	fip x ght	12/72
HBNG75NL	3/4"	fip x ght	12/72
HBNG100NL	1"	fip x ght	12/72
<b>NO LEAD Brass Angle Sill Cocks (CA AB1953 certified)</b>			
HSC50TNL	1/2"	fip x ght	12/144
HSC75TNL	3/4"	fip x ght	12/144



HVB75NL



HVBAD75NL

### No Lead Brass Vacuum Breaker Features:

- HVBAD has automatic back drain and can be manually drained.
- ASSE 1011
- Third party certified to NSF/ANSI 372.



Part Number	Description	Ctn/Case Qty
<b>NO LEAD Vacuum Breaker</b>		
HVB75NL	3/4" NL Brass fght x mght	10/100
HVBAD75NL	3/4"NL Brass w/ auto back drain fght x mght	10/100

# Plumbing Valves - Celcon, CPVC



AGHBF Series



AGSFT Series



AGBDM Series



AGBDF Series



AGSCC Series

## Celcon (Acetal) Hose Bibb & Boiler Drain Features:

- Celcon (acetal) construction for use in hot or cold fluid systems up to 180° F.
- Use with water and approved chemicals.
- Bronze color body with red T-handle or wheel handle.
- EPDM stem seal O-Ring for excellent chemical resistance and long life.
- Complies with applicable ASTM and ANSI standards.
- Manufactured for AGI in an ISO9001 facility.
- Made in USA.

## Celcon (Acetal) Stop & Waste and Stop Valve Features:

- Stop & Waste allows draining of the non-pressure side of valve via an 1/8" port (polypropylene plug included).
- Complies with applicable ASTM and ANSI standards.
- Manufactured for AGI in an ISO9001 facility.
- Made in USA.

## CPVC Stop Valve Features:

- High impact CPVC construction for use in hot or cold fluid systems up to 180° F.
- Use with water and approved chemicals.
- Beige color body with red wheel handle.
- EPDM stem seal O-Ring for excellent chemical resistance and long life.
- Complies with applicable ASTM and ANSI standards.
- Made with **Flow Guard Gold** material.
- Manufactured for AGI in an ISO 9001 facility.
- Made in USA.



Part Number	Description	Size	Inlet x Outlet	Ctn Qty	
AGHBM50T	Celcon 45° Hose Bibb	1/2"	mipt x mht	36	
AGHBM75T	Celcon 45° Hose Bibb	3/4"	mipt x mht	36	
AGHBF50T	Celcon 45° Hose Bibb	1/2"	fipt x mht	36	
AGHBF75T	Celcon 45° Hose Bibb	3/4"	fipt x mht	36	
AGSFT50T	Celcon Sink Faucet w/ hose end	1/2"	mipt x mht	36	
AGSFT75T	Celcon Sink Faucet w/ hose end	3/4"	mipt x mht	36	
AGBDM50T	Celcon Boiler Drain	1/2"	mipt x mht	36	
AGBDM75T	Celcon Boiler Drain	3/4"	mipt x mht	36	
AGBDF50T	Celcon Boiler Drain	1/2"	fipt x mht	36	
AGBDF75T	Celcon Boiler Drain	3/4"	fipt x mht	36	
AGSCC75S	CPVC Stop Valve	3/4"	slip cts x slip cts	36	6.11 ↓



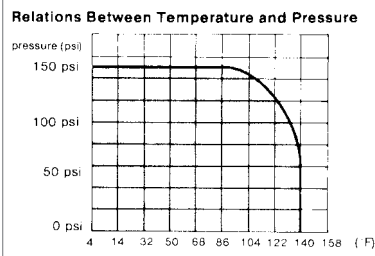
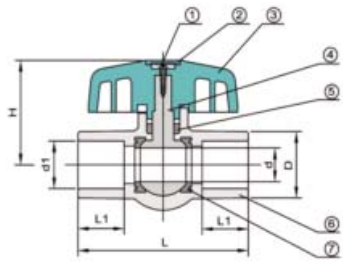
# Ball Valves - Economy PVC Molded-in-Place



## Economy Series PVC Molded-In-Place Ball Valve Features:

- Heavy duty thermoplastic white PVC (Type 1, Grade 1) construction.
- White body, blue handle.
- Tee handle on 1/2" through 2". Lever handle on 2 1/2", 3" and 4".
- EPDM seats provide excellent chemical resistance.
- EPDM "o" ring stem seal.
- 150 PSI working pressure at 73°F water, non-shock.
- Maintenance free compact design.
- Severe shock loads and misalignment stress are absorbed by the valve body, not the ball & seat, minimizing the chance of uneven wear & leakage.
- Third party certified no lead to NSF/ANSI 372.
- Individually cartoned.
- Imported.

EMIP TE/SE Series IPS DIMENSIONS (IN.)						
SIZE	d	d1	D	L1	L	H
1/2"	0.591	.0839	1.24	0.80	2.9	1.78
3/4"	0.792	1.051	1.45	0.89	3.4	2.01
1"	0.981	1.315	1.77	1.08	4.0	2.26
1 1/4"	1.262	1.661	2.07	1.06	4.3	2.66
1 1/2"	1.421	1.902	2.49	1.14	4.8	2.91
2"	1.832	2.374	3.01	1.42	5.7	3.32
2 1/2"	2.492	2.874	3.54	1.80	7.2	4.07
3"	3.153	3.5	4.25	2.4	9.3	4.47
4"	3.821	4.5	5.21	2.52	10.1	4.89



MATERIAL SPECIFICATIONS	
1 Screw	Zinc Plated Steel
2 Cap	ABS
3 Handle	ABS
4 Ball	PVC
5 Stem Seal o-ring	EPDM
6 Body	PVC
7 Seat Seal	EPDM

CV (GPM/(1 lbf/in <sup>2</sup> ) <sup>1/2</sup> ) Opening Rate: 90°	
SIZE	CV
1/2"	14.5
3/4"	29.5
1"	48.0
1 1/4"	71.0
1 1/2"	135.0
2"	180.0
2 1/2"	225.0
3"	400.0
4"	865.9

Threaded Part Number	Slip Part Number	Size	Master Case Qty
EMIP50TE	EMIP50SE	1/2"	210
EMIP75TE	EMIP75SE	3/4"	137
EMIP100TE	EMIP100SE	1"	95
EMIP125TE	EMIP125SE	1 1/4"	56
EMIP150TE	EMIP150SE	1 1/2"	36
EMIP200TE	EMIP200SE	2"	24
EMIP250TE	EMIP250SE	2 1/2"	9
EMIP300TE	EMIP300SE	3"	8
EMIP400TE	EMIP400SE	4"	6



# Ball Valves - PVC Sch 80 Molded-in-Place



ISO 9002

## MATERIAL SPECIFICATIONS

Body	PVC
Seat Seal	EPDM, PTFE
Ball	PVC
Stem Seal o-ring	EPDM
Handle	ABS
Bolt	Zinc Plated Steel
Cap	ABS

## SCH 80 Series PVC Molded-In-Place Ball Valve Features:

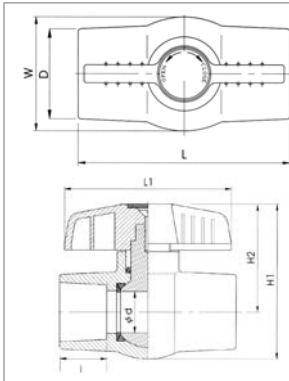
- Heavy duty thermoplastic white PVC (Type 1, Grade 1) construction. Materials meet NSF standards.
- Meets ASTM 2467 Schedule 80.
- White body, red handle.
- Available with PTFE or EPDM seats providing excellent chemical resistance.
- EPDM "o" ring stem seal
- 150 PSI working pressure at 73°F water, non-shock.
- Maintenance free compact design.
- Severe shock loads and misalignment stress are absorbed by the valve body, not the ball & seat, minimizing the chance of uneven wear & leakage.
- Individually cartoned.
- Manufactured for AGI in an ISO9002 facility.
- **Third party certified to NSF/ANSI 372.**
- Imported.



Certified to  
ANSI/NSF 61 &  
ANSI/NSF 61 Annex G



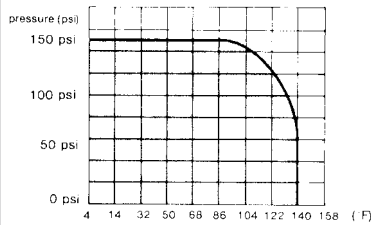
**NO LEAD**  
< 0.25% Pb by  
weighted avg  
Third Party Certified  
to NSF / ANSI 372



## HMIP TE/SE and T/S Series IPS DIMENSIONS (IN.)

SIZE	d	D	L	L1	I	H1	H2	W
1/2"	.55	1.17	3.24	2.73	.87	2.42	1.68	1.48
3/4"	.78	1.48	3.71	3.43	1.00	3.04	2.11	1.67
1"	.98	1.76	4.13	3.90	1.12	3.63	2.54	2.22
1 1/4"	1.17	2.11	4.45	3.90	1.25	3.82	2.61	2.46
1 1/2"	1.40	2.42	5.07	4.25	1.37	4.49	3.04	2.93
2"	1.82	3.00	5.74	5.23	1.50	5.27	3.47	3.59
2 1/2"	2.34	3.59	7.96	6.94	1.75	6.24	4.10	4.29
3"	3.00	4.13	8.93	8.74	1.88	7.41	4.84	5.19
4"	3.94	5.27	11.70	10.76	2.25	9.09	5.77	6.63

## Relations Between Temperature and Pressure



## CV (GPM/(1 lbf/in<sup>2</sup>)<sup>1/2</sup>)

Opening Rate: 90°

SIZE	CV
1/2"	14.5
3/4"	29.5
1"	48.0
1 1/4"	71.0
1 1/2"	135.0
2"	180.0
2 1/2"	225.0
3"	400.0
4"	865.9

## WITH EPDM SEATS



Threaded Part Number	Slip Part Number	Size	Ctn Qty
HMIP50TE	HMIP50SE	1/2"	100
HMIP75TE	HMIP75SE	3/4"	100
HMIP100TE	HMIP100SE	1"	100
HMIP125TE	HMIP125SE	1 1/4"	100
HMIP150TE	HMIP150SE	1 1/2"	48
HMIP200TE	HMIP200SE	2"	24
HIMP250TE	HMIP250SE	2 1/2"	12
HMIP300TE	HMIP300SE	3"	12
HMIP400TE	HMIP400SE	4"	6

## WITH PTFE SEATS



Threaded Part Number	Slip Part Number	Size	Ctn Qty
HMIP50T	HMIP50S	1/2"	100
HMIP75T	HMIP75S	3/4"	100
HMIP100T	HMIP100S	1"	100
HMIP125T	HMIP125S	1 1/4"	100
HMIP150T	HMIP150S	1 1/2"	48
HMIP200T	HMIP200S	2"	24



www.cbsupplies.ca  
Phone: (866) 503-5523 Fax: (888) 562-2095  
AGI@cbsupplies.ca



10.010

# Ball Valves - CPVC Sch 80 Molded-in-Place



ISO 9002

### MATERIAL SPECIFICATIONS

Body	CPVC
Seat Seal	PTFE
Ball	CPVC
Stem Seal	EPDM
Handle	ABS
Bolt	Zinc Plated Steel
Cap	ABS

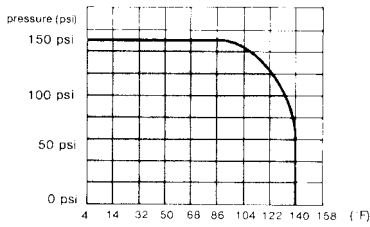
**FLOWGUARD GOLD**  
PIPE & FITTINGS



Certified to  
ANSI-NSF 61 &  
ANSI-NSF 61 Annex G



### Relations Between Temperature and Pressure

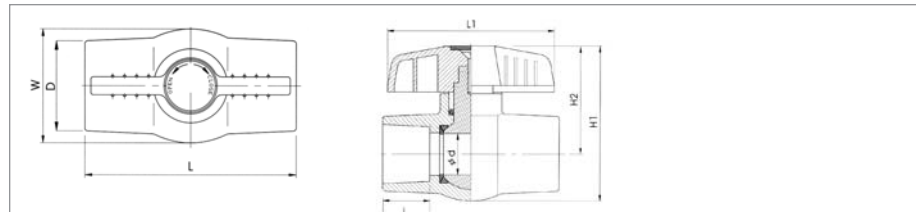


CV (GPM/ $(1 \text{ lbf/in}^2)^{1/2}$ )  
Opening Rate: 90"

SIZE	CV
1/2"	14.5
3/4"	29.5
1"	48.0

### SCH 80 Series CPVC Molded-in-Place Ball Valve Features:

- Made with Flo Guard Gold CPVC material.
- Heavy duty thermoplastic CPVC construction for hot water use.
- NSF listed.
- Meets ASTM 2467 Schedule 80.
- CTS slip x slip - cream body, orange handle.
- PTFE seats providing excellent chemical resistance.
- EPDM O-Ring stem seal.
- Working pressure 75 PSI at 180 °F.
- Maintenance free compact design.
- Severe shock loads & misalignment stress are absorbed by the valve body, not the ball & seat, minimizing the chance of uneven wear & leakage.
- Individually cartoned.
- Manufactured for AGI in an ISO 9002 facility.
- Imported
- Third party certified to NSF/ANSI 372.



### CMIP "C" Series CTS DIMENSIONS (IN.)

SIZE	d	D	L	L1	I	H1	H2	W
1/2"	.47	.94	2.65	2.34	.50	1.91	1.33	1.21
3/4"	.55	1.17	3.24	2.73	.87	2.42	1.68	1.48
1"	.78	1.48	3.71	3.43	.90	3.04	2.11	1.91

Part Number	Description	Ctn Qty
<b>CPVC Ball Valve, Copper Tube Size, SLIP X SLIP</b>		
CMIP50C	1/2" SLIP X SLIP	100
CMIP75C	3/4" slip x slip	100
CMIP100C	1" slip x slip	100



www.cbsupplies.ca  
Phone: (866) 503-5523 Fax: (888) 562-2095  
AGI@cbsupplies.ca



10.011

# Ball Valves - PVC Single Union



PV1450 Series



PV1452, PV1453 Series

ISO 9002

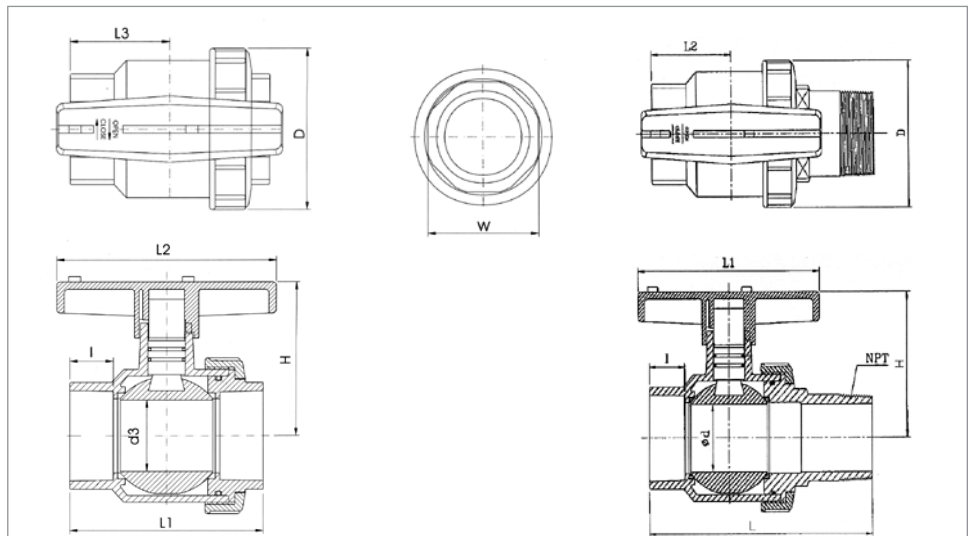


## MATERIAL SPECIFICATIONS

Body	PVC
End Adapter	PVC
Union Nut	PVC
Ball	PVC
Stem	PVC
Handle	ABS
Union o-rings	EPDM
Seat Seals	PTFE
Stem o-rings	EPDM

## PVC Single Union Ball Valve Features:

- PVC Type 1 construction for compatibility in joining rigid PVC and flex vinyl pipes.
- PTFE seats.
- Double EPDM o-ring seal on stem: single EPDM o-ring seal on union end.
- Fully round ball prevents foreign matter from scoring seats.
- Tee handle for quarter turn on/off with stops.
- Working pressure: 150 PSI at 72°F, 100 PSI at 120°F.
- Threaded or socket.
- Manufactured for AGI in an ISO 9002 facility.
- Imported



## PV1450 Series DIMENSIONS (IN.)

SIZE	d3	D	L1	L2	L3	H	W	I
1 1/2"	1.50	3.42	4.49	4.72	2.21	3.32	2.34	1.09
2"	1.88	4.10	5.07	5.74	2.53	4.07	2.73	1.15

## PV1452 Series DIMENSIONS (IN.)

SIZE	d	D	L	L1	L2	H	W	I
1 1/2"	1.50	3.42	6.55	4.72	2.21	3.32	2.34	1.09
2"	1.87	4.10	7.02	5.73	2.52	4.07	2.73	1.15

Part Number	Threaded/Slip	Size	Ctn Qty
PV1450-11/2	Slip	1-1/2"	48
PV1450-2	Slip	2"	24
PV1451-11/2	Threaded	1-1/2"	48
PV1451-2	Threaded	2"	24
PV1452-11/2	Slip x Extended MIP	1 1/2"	24
PV1452-2	Slip x Extended MIP	2"	24
PV1453-11/2	FPT x Extended MIP	1 1/2"	24
PV1453-2	FPT x Extended MIP	2"	12



# Ball Valves - PVC Single Union



1350 Series



## PVC Single Union Ball Valve Features:

- PVC Type 1 construction for compatibility in joining rigid PVC and flex vinyl pipes.
- **Buna "N" O-Ring seal; HDPE seats.**
- 1-1/4 deep sockets on both ends for extra cementing surface area.
- Tee handle for quarter turn on/off with stops.
- Working pressure: 150 PSI at 72°F.
- Threaded or socket.



Part Number	Threaded/Socket	Size	Ctn Qty
1350-15	Socket	1-1/2"	12
1350-20	Socket	2"	6
1351-15	Threaded	1-1/2"	12

# Ball Valves - PVC True Union



ITUV Series



## SCH 80 PVC True Union Ball Valve Features:

- Heavy duty thermoplastic grey Sch 80 PVC (Type 1, Grade 1).
- Full port design.
- Available with either EPDM or Viton® o-ring stem, carrier and union seals.
- PTFE seats are resistant to chemical corrosion.
- 150 PSI working pressure at 73° water, non-shock.
- Working temperature -4°F to 140°F.
- Unique double union/double block design permits in-line maintenance without disconnecting pipe and with no special tools.
- Both ends are blocked with bayonet-style locks which prevents the ball from being blown out. Ball remains in place upon removal of valve.
- External adjustment for seat wear.
- Individually cartoned.
- Imported.

### EPDM O-Rings

Socket Part Number	Threaded Part Number	Ctn Qty
ITUV50SE	ITUV50TE	48
ITUV75SE	ITUV75TE	36
ITUV100SE	ITUV100TE	24
ITUV125SE	ITUV125TE	24
ITUV150SE	ITUV150TE	24
ITUV200SE	ITUV200TE	12
ITUV250SE	ITUV250TE	12
ITUV300SE	ITUV300TE	6
ITUV400SE	ITUV400TE	1

### VITON O-RINGS

Socket Part Number	Threaded Part Number	Ctn Qty
ITUV50SV	ITUV50TV	48
ITUV75SV	ITUV75TV	36
ITUV100SV	ITUV100TV	24
ITUV125SV	ITUV125TV	24
ITUV150SV	ITUV150TV	24
ITUV200SV	ITUV200TV	12
ITUV250SV	ITUV250TV	12
ITUV300SV	ITUV300TV	6
ITUV400SV	ITUV400TV	1

### ADDITIONAL ENDS - SET OF 2 INCLUDED

Part Number	Part Number
ITUV50 SOCKET END	ITUV50 THREADED END
ITUV75 SOCKET END	ITUV75 THREADED END
ITUV100 SOCKET END	ITUV100 THREADED END
ITUV125 SOCKET END	ITUV125 THREADED END
ITUV150 SOCKET END	ITUV150 THREADED END
ITUV200 SOCKET END	ITUV200 THREADED END
ITUV250 SOCKET END	ITUV250 THREADED END
ITUV300 SOCKET END	ITUV300 THREADED END
ITUV400 SOCKET END	ITUV400 THREADED END

# Ball Valves - PVC True Union



## ITUV Series PVC True Union Ball Valve Specifications:



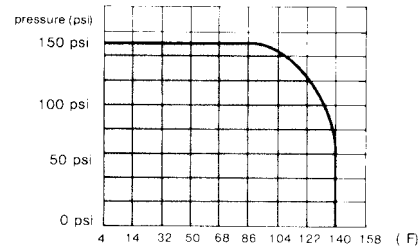
### MATERIAL SPECIFICATIONS:

Part	Material
Body	PVC
Stem o-ring	EPDM or Viton
Stem	PVC
Ball	PVC
Seat Seal	PTFE
Carrier o-ring	EPDM or Viton
Seal Carrier	PVC
Union o-ring	EPDM or Viton
End Connector	PVC
Union Nut	PVC
Handle	ABS
Inserted Nut	C3604 (on 1/2" - 2" only)

### CV (GPM/(1 lbf/in<sup>2</sup>)<sup>1/2</sup>) Opening Rate: 90"

SIZE	CV
1/2"	7.39
1"	25.16
1 1/4"	43.22
1 1/2"	60.21
2"	101.56
2 1/2"	170.39
3"	
4"	906.95

### Relations Between Temperature and Pressure



**ITUV Series  
1/2" thru 2" DIMENSIONS (IN.)**

SIZE	d	D1	L1	L2	L3	H1	H2
1/2"	.51	1.76	4.33	2.347	3.04	1.87	--
3/4"	.70	2.15	5.07	2.85	3.59	2.26	1.01
1"	.90	2.57	5.66	3.04	3.90	2.54	1.29
1 1/4"	1.17	3.16	6.44	3.39	4.29	2.95	1.48
1 1/2"	1.48	3.74	6.67	3.59	4.72	3.43	1.64
2"	1.87	4.64	7.80	4.37	5.73	4.19	2.07

**ITUV Series  
2 1/2" thru 4" DIMENSIONS (IN.)**

SIZE	d	D2	L1	L2	H
2 1/2"	2.34	5.30	7.08	10.73	4.64
3"	2.69	6.08	9.32	11.70	5.03
4"	3.90	8.74	10.84	12.79	6.86

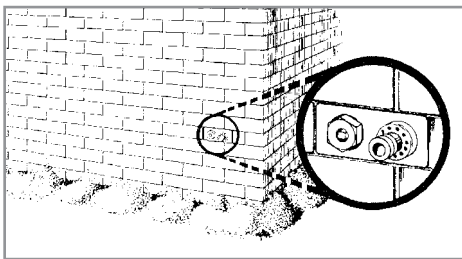
# Wall Hydrants - Commercial



**CLAYTON MARK**



Model 6500



#### Typical Installation.

The Clayton Mark Model 6500 is a freeze proof sanitary, self-draining, through-the-wall commercial wall hydrant. The Model 6500 is engineered for use on commercial buildings such as restaurants, office buildings, shopping centers, hotels, schools, apartments, and many other types of industrial buildings.



#### Model 6500 Features:

- IAPMO listed.
- Vacuum Breaker/Backflow Preventer approved under ASSE Standard 1011. Patented design by Clayton Mark (Patent No. 3850190) operates at lower differential pressures than most vacuum breakers & features a self-cleaning design to help prevent clogging, 3/4" outlet.
- Simple, solderless design ensures years of trouble free operation.
- Natural brass finish blends in well with exterior finish and is more resistant than plated surfaces to weathering and normal usage.
- Positive shut-off with a plug type seal. Requires less force to operate.
- 400 Series stainless steel operating rod.
- Heavy duty brass pipe is stronger than ordinary copper tubing. Threaded & sealed joints eliminate problems associated with solder joints.
- Multiple vent holes ensure proper drainage and reduce problems associated with insect nesting.
- Custom brick cutting virtually eliminated by the unique low profile hydrant face.
- Standard hydrant can be used with or without a box. No need for dual inventories or multiple models to track.
- Simple design enables easier and more stable clamping to inner wall. On non-brick surfaces, the design will enable a more secure hold.

#### Application:

- Provides a year round source of water to areas of structures that are subject to freezing temperatures.
- The patented integral vacuum breaker/backflow preventer provides protection against cross-connection with the potable supply, while venting to eliminate the possibility of a vacuum. An operating key is included to operate the hydrant and is removable to help prevent unauthorized use of the hydrant and reduce vandalism. No special installation tools are required.

#### Materials of Construction:

- Brass All pressure-containing components (Head, Valve Body, Drive Screw, Hose Piece, Hex Face Nut, Pipe Casing).
- Stainless Steel Operating Rod
- Butyl Rubber Plunger (W/Brass Insert)
- Buna-N-Rubber O-Rings
- Silicon Rubber BFP Diaphragm
- Acetal BFP Check Spider

#### Specify As Follows:

Wall hydrant shall be the freeze-proof Clayton Mark Model 6500 with automatic draining capabilities and patented integral vacuum breaker/backflow preventer, 3/4" hose connection, freeze-proof water flow and self-draining functions, one-piece valve plunger, natural brass finish, stainless steel operating rod, and positive seal shut-off mechanism. Operating key to be furnished with each hydrant. Wall thickness to be \_\_\_\* inches. Universal repair kits available to rebuild all moving parts subject to normal wear.

\* 4" to 24" in 2" increments

# Wall Hydrants - Commercial



**CLAYTON MARK**



## Commercial Wall Hydrant Features:

- Automatic freezeless wall hydrants.
- Single check hose connection.
- Anti-siphon vacuum breaker.
- Drain when handle is shut off.
- All lengths will have cartridge style plunger.



**SPECIAL ORDER ONLY - ALLOW 4-6 WEEKS FOR DELIVERY**

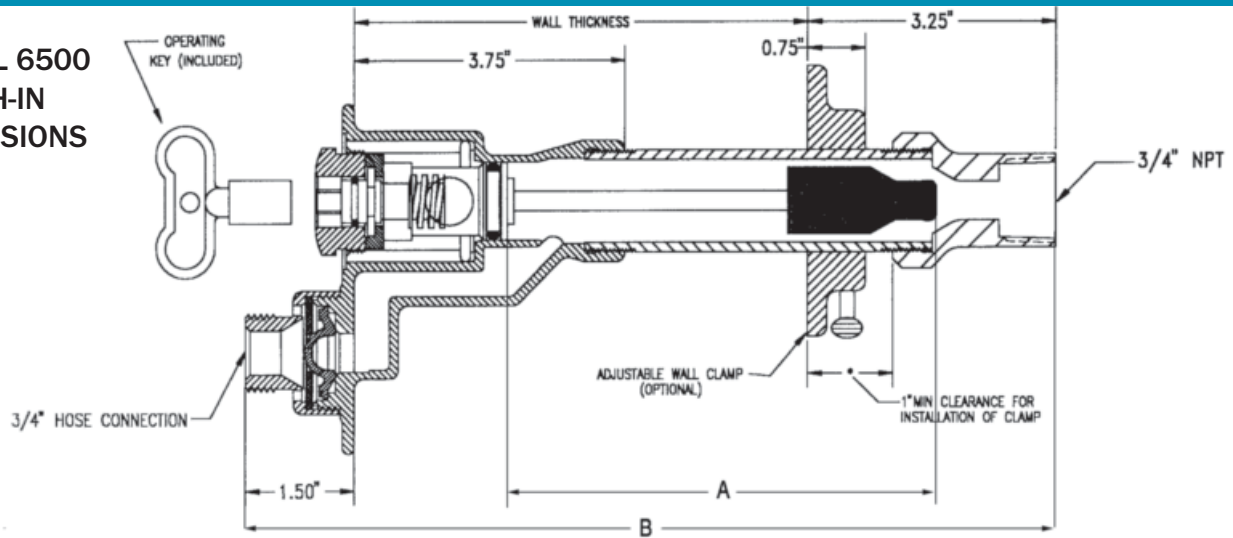


Part Number	Wall Thickness	Operating Rod Assembly Length (A)	Overall Hydrant Length (B)	Ctn Qty
<b>Commercial Wall Hydrants, Freezeproof, Sanitary and Self-Draining, without box</b>				
CWHO4	4"	6.5"	10 3/8"	1
CWHO6	6"	8.5"	12 3/8"	1
CWHO8	8"	10.5"	14 3/8"	1
CWH10	10"	12.5"	16 3/8"	1
CWH12	12"	14.5"	18 3/8"	1
CWH16	16"	18.5"	22 3/8"	1
<b>Wall Hydrant Repair Kits</b>				
CRK1	Repair Kit I (Minor)			1
CRK2	Repair Kit II (Major)			1

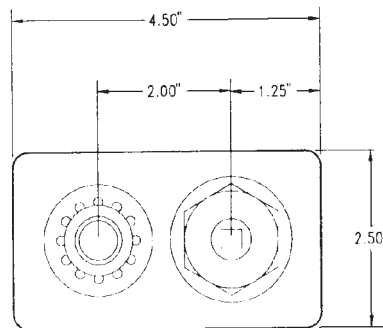
\* Replacement rods are available. Please note length and description of plunger or cartridge seal. Price available upon request.

# Wall Hydrants - Specifications

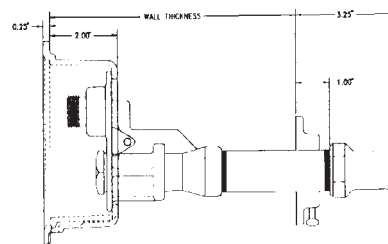
## MODEL 6500 ROUGH-IN DIMENSIONS



Cross-Sectional Top View



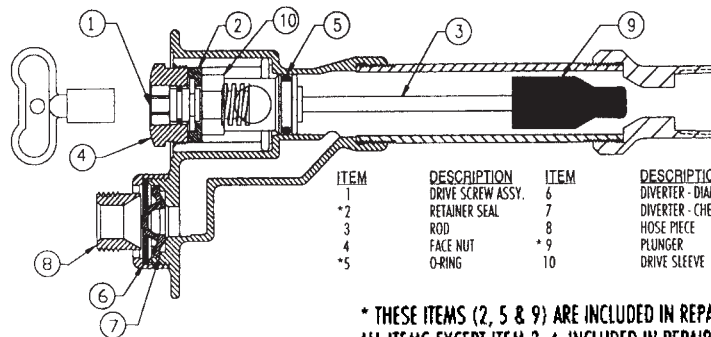
FRONT



BOX - TOP VIEW

## REPLACEMENT PARTS

\* Items 2, 5 & 9 are included in minor repair kit CRK1  
All items except 3 & 4 are included in major repair kit CRK2



ITEM	DESCRIPTION	ITEM	DESCRIPTION
1	DRIVE SCREW ASSY.	6	DIVERTER - DIAPHRAGM
*2	RETAINER SEAL	7	DIVERTER - CHECK SPIDER
3	ROD	8	HOSE PIECE
4	FACE NUT	*9	PLUNGER
*5	O-RING	10	DRIVE SLEEVE

\* THESE ITEMS (2, 5 & 9) ARE INCLUDED IN REPAIR KIT CRK1.  
ALL ITEMS EXCEPT ITEM 3, 4 INCLUDED IN REPAIR KIT CRK2.  
OPERATING KEY INCLUDED IN BOTH REPAIR KITS.